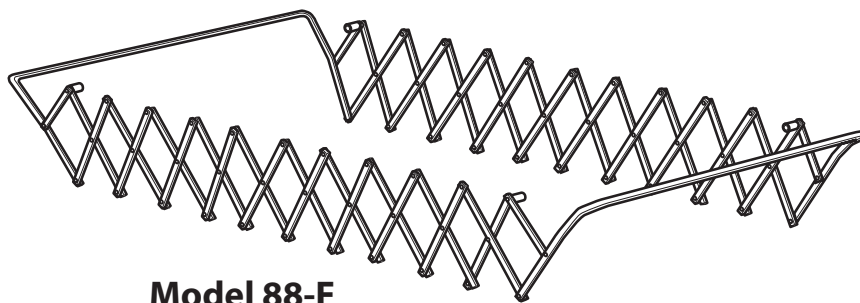


**Model 87-F**



**Model 88-F**

---

## **Models 87-F and 88-F Drape Frame**

---

July 2009 GLO  
Pub. No. 234-0042-05




*Read this Manual  
and Retain for  
Future Reference*

# 1 - SAFETY INFORMATION

## 1.1 Warning

Warning notices indicate a potentially hazardous situation which, if not avoided, could result in injury or death.

 **WARNING**

**Improper use of the drape frame can cause injury. Use the drape frame only for the purpose described in this manual.**

**Improperly attaching the drape frame can cause injury. Attach the drape frame only as described in this manual.**

**Improper parts and service can cause injury. Use only Ferno parts and Ferno-approved service on the drape frame.**

## 1.2 Important

Important notices emphasize important usage or maintenance information.

**Important**

## 1.3 Bloodborne Disease Notice

To reduce the risk of exposure to bloodborne diseases such as HIV-1 and hepatitis when using the drape frame, follow the disinfecting and cleaning instructions in this manual.

## 1.4 Symbol Glossary

The symbols defined below are used in this manual. Ferno uses symbols recognized by the International Standards Organization (ISO), American National Standards Institute (ANSI) and the mortuary services industry.



General Warning of Potential Injury



Read the Users' Manual



Do Not Lubricate

# 2 - ABOUT THE DRAPE FRAME

## 2.1 Description

Ferno® Models 87-F and 88-F Drape Frames (both called drape frame in this manual) are mortuary-service products. When attached to a Ferno® church truck, the drape frame holds a drape that conceals the church truck.

Model 87-F is compatible with the Ferno® Model 87 Church Truck. Model 88-F is compatible with the Ferno® Model 88 Church Truck.

Attaching and using the drape frame is the same for both models unless noted otherwise.

Hardware for attaching a drape to the drape frame is included with the drape. To purchase drapes, contact Ferno Customer Relations (page 8).

 **WARNING**

**Improper use of the drape frame can cause injury. Use the drape frame only for the purpose described in this manual.**

## 2.2 General Specifications

### MODEL 87-F

Length Folded	11 in./28 cm
Length Fully Expanded	74 in./188 cm
Width	23 in./58 cm
Height	10 in./25 cm
Weight	5 lb./2.2 kg

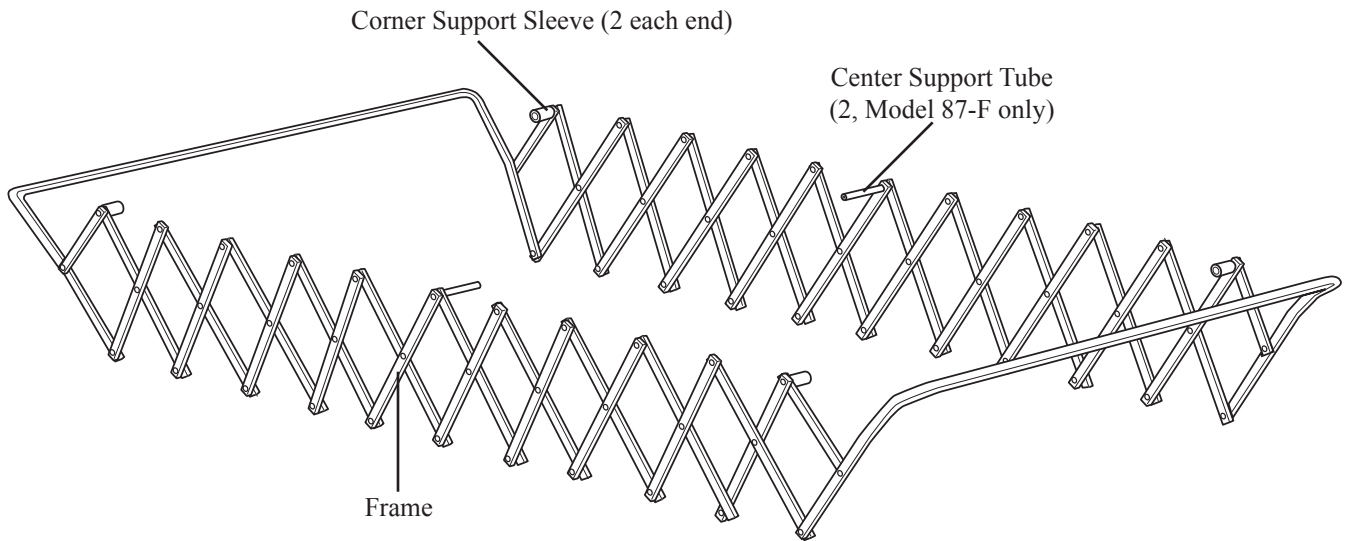
### MODEL 88-F

Length Folded	10 in./25 cm
Length Fully Expanded	59 in./150 cm
Width	23 in./58 cm
Height	10 in./25 cm
Weight	5 lb./2.2 kg

General specifications are rounded to the nearest whole number. Metric conversions are calculated before rounding the Imperial measurements. For more information, contact Ferno Customer Relations (page 8) or your Ferno distributor.

Ferno reserves the right to change specifications without notice.

## 2.3 Components



## 3 - USING THE DRAPE FRAME

### 3.1 Before Placing the Drape Frame In Service

- Personnel who will work with the drape frame need to read this manual.
- Set up the drape frame, following the instructions for the appropriate model (see *Attaching the Drape Frame to A Church Truck* at right).
- Confirm that the drape frame operates properly. See *Inspecting the Drape Frame*, page 6.
- Use the drape frame only with a Ferno® church truck.

### 3.2 Attaching the Drape Frame to A Church Truck

Follow all of the steps in this section to attach the Model 87-F Drape Frame to a Ferno® Model 87 Church Truck.

Follow Steps 1-7 and Step 13 to attach the Model 88-F Drape Frame to Ferno® Model 88 Church Truck.

#### MODELS 87-F AND 88-F

1. Open the church truck to a partially-expanded position as shown in Figure 1.

**WARNING**

Improperly attaching the drape frame can cause injury. Attach the drape frame only as described in this manual.

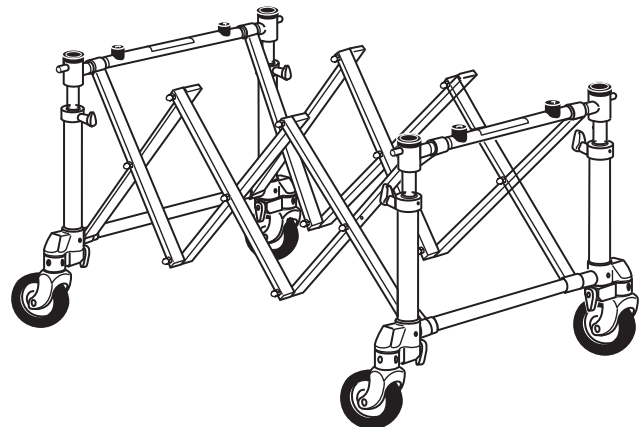


Figure 1 - Church Truck Partially Expanded

2. **On the church truck:** Remove the four plastic end caps from the crosstubes (Figure 2). If the drape frame will **not** remain on the church truck permanently, keep the end caps.

**Note:** Some end caps may be glued in place; some have a drive screw. Remove the screw and/or use pliers if needed to twist and remove the end caps.

3. **On the drape frame:** By hand, twist and remove the four corner support sleeves and fiber washers from the drape frame. Keep the sleeves and fiber washers.
4. **On the church truck:** Use a 1/2" wrench to loosen the four corner screws a few turns.
5. **On the church truck:** Slide the four corner sleeves that you removed from the drape frame onto the church truck crosstubes (Figure 3).
6. Open the drape frame, fit it over the church truck, and align the four corner screws with the corner sleeves attached to the church truck.
7. Use a 1/2" wrench to tighten the screws (clockwise) into the corner sleeves until the screws are tight. Hold the corner sleeves in place or turn them counterclockwise as you tighten the screws (Figure 4).

**Note:** If you have the Model 88-F drape frame which does not have center support tubes, skip to Step 13 on page 5.

**MODEL 87-F ONLY**

8. **On the church truck:** Remove the center acorn nuts (one from each side of church truck, Figure 5). If the drape frame will not be left on the church truck permanently, keep the acorn nuts.
9. **On the drape frame:**
  - o Twist the center support tubes by hand to remove the tubes and fiber washers from the drape frame. Keep the tubes and fiber washers.
  - o Use a 1/2" wrench to loosen the screws a few turns.

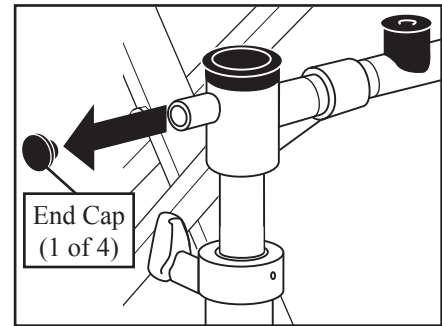
**Note:** Two styles of church truck have been produced. Some use Imperial (SAE\*) fasteners, and some use Metric fasteners. The Model 87-F drape frame is shipped with a pair of Imperial (SAE) center-support tubes, and a pair with both SAE and Metric ends. The Metric ends have a groove around the end of the tube with Metric threads.

10. Test-thread the center-support tube onto the church truck axle. Use the pair of tubes that thread easily onto the church truck axle for Step 11 (page 5).

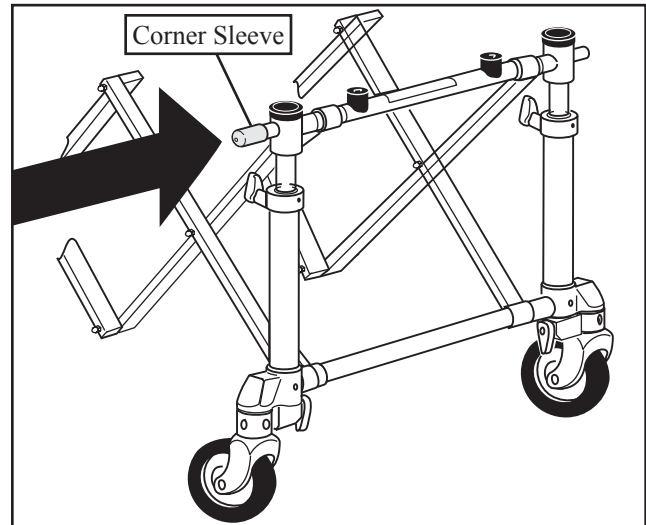
**Important**

Metric and Imperial (SAE) sets of center support tubes are provided with the Model 87-F drape frame. A groove around the end of a tube indicates Metric threads.

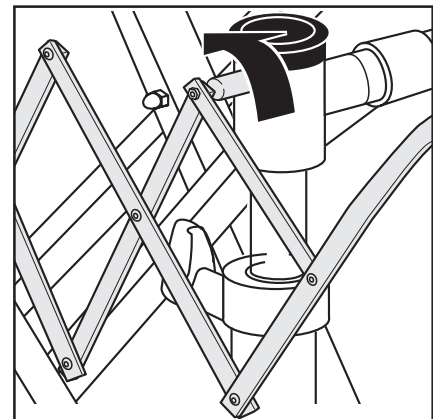
\*SAE (Society of Automotive Engineers) references a standard for fastener threads.



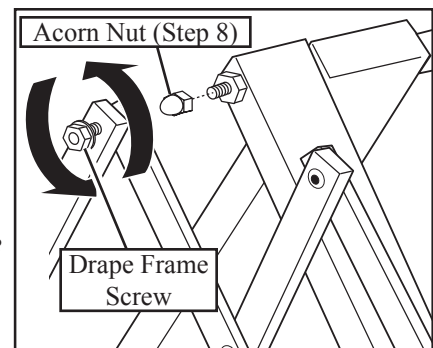
**Figure 2 - Remove the End Caps from the Church Truck**



**Figure 3 - Slide the Corner Sleeves Onto the Church Truck Crosstubes**



**Figure 4 - Hold Steady or Turn Corner Sleeves While Tightening the Screws**



**Figure 5 - Turn the Drape Frame Screws Counterclockwise**

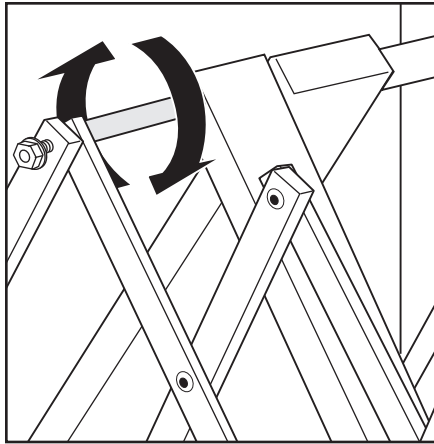
## Models 87-F and 88-F Drape Frame

11. Thread the center-support tubes tight against the church truck frame (Figure 6).
12. Use a 1/2" wrench to tighten the screws into the center support tubes (Figure 7). Do not overtighten.

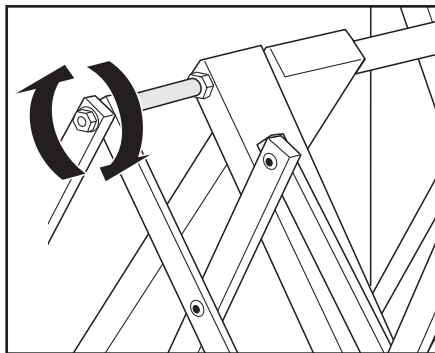
### MODELS 87-F AND 88-F

13. Verify that the church truck opens and closes easily. If it does not, loosen the drape frame screws.

**Figure 6 -  
Thread the  
Support Screws  
Onto the Center  
Support Tubes**



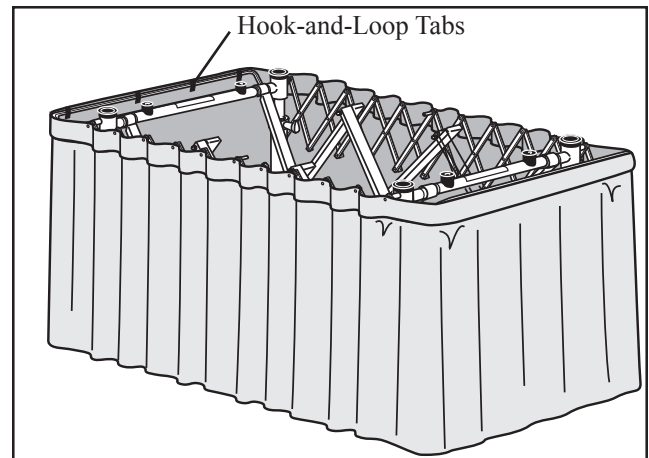
**Figure 7 -  
Tightening  
Screws on Drape  
Frame**



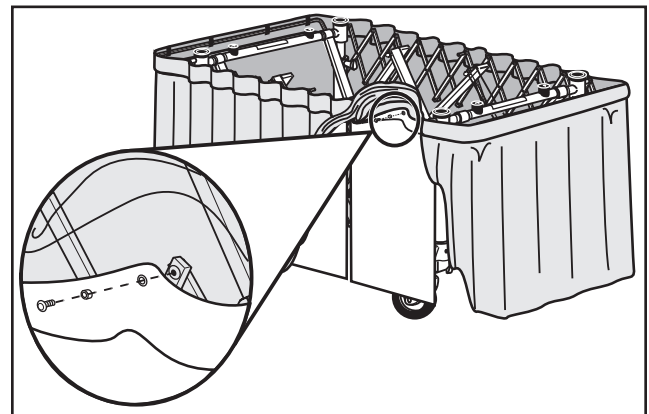
### 3.3 Attaching a Drape

Spacers and screws for attaching a drape to the drape frame are supplied with the drape.

1. Attach the ends of the drape to the edges of the drape frame with the hook-and-loop tabs located on the vinyl band inside the drape (Figure 8).
2. Lift the drape to expose the grommets located on the vinyl band inside the drape.
3. Align the grommets with the threaded holes of the drape frame. Insert the spacers and screws through the grommets and into the threaded holes in the drape frame (Figure 9). Tighten the screws only enough to hold the drape in place without interfering with operation of church truck.
4. Arrange the drape pleats to fold outward.



**Figure 8 - Attaching Ends of Drape**



**Figure 9 - Attaching Sides of Drape**

## 4 - MAINTENANCE

### 4.1 Maintenance Schedule

The drape frame requires regular maintenance. Set up and follow a maintenance schedule. The table at right represents minimum intervals for maintenance.

Keep maintenance records.

When using maintenance products, follow the manufacturers' directions and read the manufacturers' material safety data sheets. You can purchase a recommended disinfectant from your Ferno distributor or Ferno Customer Relations (page 8).

Minimum Maintenance Intervals	As Needed	Each Month
Cleaning (this page)	•	
Inspecting (this page)	•	•

### 4.2 Cleaning the Drape Frame

Wipe the drape frame with a soft cloth dampened with a cleaner safe for use on chrome plating.

**Important**

Disinfectants and cleaners containing bleach, phenolics, or iodines can harm the drape frame. Disinfect and clean the drape frame only with products that do not contain bleach, phenolics, or iodines.

### 4.3 Inspecting the Drape Frame

Check the following:

- Are all components present?
- Is the drape frame free of excessive wear?
- Do all moving parts operate smoothly and properly?

### 4.4 No Lubrication

The drape frame is constructed with fiber washers which do not require lubrication. Do not lubricate the drape frame.



**Important**

Lubricating parts that should not be lubricated allows dirt and foreign particles to collect on those parts, resulting in damage.



## 5 - PARTS AND SERVICE

### 5.1 U.S.A. and Canada

In the United States and Canada, to order parts or for professional repair, contact EMSAR® - the only agent authorized by Ferno to manage, service, and repair Ferno products.

Telephone (Toll-Free)	1.800.73.EMSAR
Telephone	1.937.383.1052
Fax	+1.937.383.1051
Internet	www.EMSAR.com

### 5.2 Worldwide

To order Ferno parts, and for professional cot repair, contact your Ferno distributor. Your distributor is the only agent authorized by Ferno to manage, service, and repair Ferno products.



### WARNING

**Improper parts and service can cause injury. Use only Ferno parts and Ferno-approved service on the drape frame.**

### 5.3 Parts

#### FASTENERS TO ATTACH A DRAPE

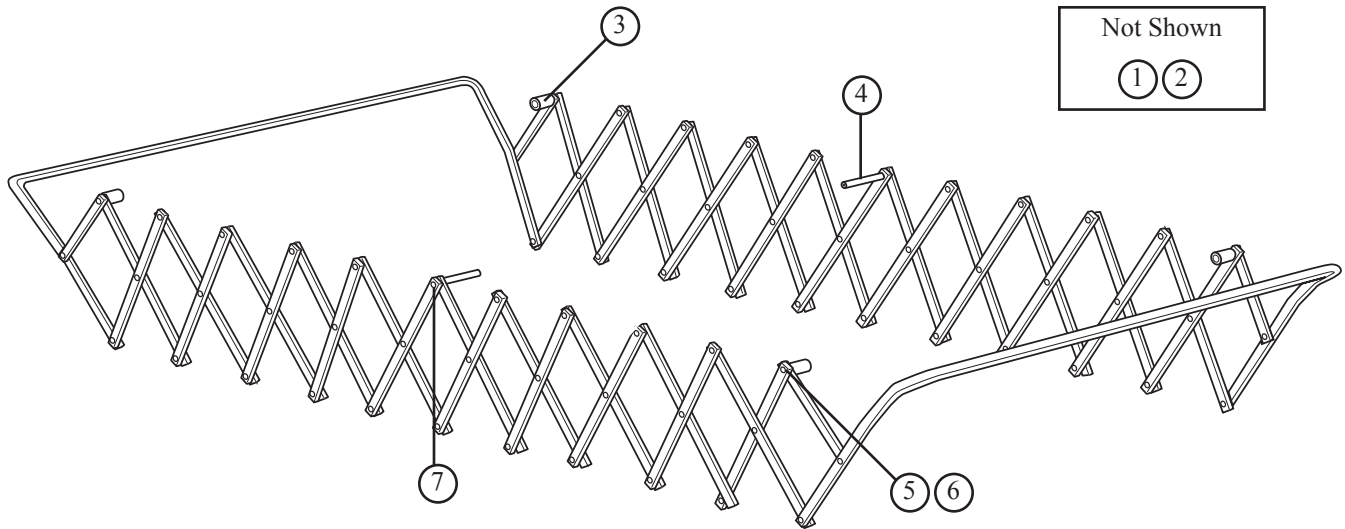
Ref. #	Description	Part #
1	Pan-head machine screws 8-32 x 7/8" (26 each*)	090-2914
2	Spacers 1/4 x 1/4 (26 each*)	090-2915

\*22 required; four extra parts are supplied in the kit.

#### DRAPE FRAME PARTS

3	Corner support sleeve (qty. 4)	090-2916
4	Center support tubes*	090-2917
5	Frame support screw w/tapped center (qty. 2)	090-2918
6	Fiber washers (qty. 6)	090-2911
7	Frame support screw (2) w/male snap fasteners (2)	090-2909

\*For Model 87-F only. Kit contains two Imperial support tubes and two Metric support tubes.



## Ferno Technical Support

Customer service and product support are important aspects of each Ferno product. For technical support questions:

Telephone (Toll-free)	1.800.733.3766 ext. 1010
Telephone	1.937.382.1451 ext. 1010
Email	quality.products@ferno.com

## Ferno Customer Relations

For ordering assistance or general information:

### CANADA AND THE U.S.A.

Telephone (Toll-free)	1.877.733.0911
Telephone	1.937.382.1451
Fax (Toll-free)	1.888.388.1349
Fax	1.937.382.1191
Internet	www.ferno.com

### ALL OTHER LOCATIONS

For assistance or information, please contact your Ferno distributor. If you do not have a Ferno distributor, please contact Ferno Customer Relations:

Ferno-Washington, Inc.  
70 Weil Way

Wilmington, Ohio 45177-9371, U.S.A.

Telephone	+1.937.382.1451
Fax	+1.937.382.6569
Internet	www.ferno.com



FERNO S.r.l.  
via B. Zallone, n. 26, 40066  
Pieve di Cento, Bologna, Italy  
+39.051.6860028 234-3468-02

## Disclaimer

This manual contains general instructions for the use, operation and care of this product. The instructions are not all-inclusive. Safe and proper use of this product is solely at the discretion of the user. Safety information is included as a service to the user. All other safety measures taken by the user should be within and under consideration of applicable regulations. It is recommended that training on the proper use of this product be provided before using this product in an actual situation.


Retain this manual for future reference. Include it with the product in the event of transfer to new users. Additional free copies are available upon request from Customer Relations.

## Proprietary Notice

The information disclosed in this manual is the property of Ferno-Washington, Inc., Wilmington, Ohio, USA. Ferno-Washington, Inc. reserves all patent rights, proprietary design rights, manufacturing rights, reproduction use rights, and sales use rights thereto, and to any article disclosed therein except to the extent those rights are expressly granted to others or where not applicable to vendor proprietary parts.

## Limited Warranty Statement

The products sold by Ferno are covered by a limited warranty, which is printed on the invoice you received when you purchased the product. Please refer to the warranty terms as printed on your invoice. The complete terms and conditions of the limited warranty, and the limitations of liability and disclaimers, are also available upon request by calling Ferno at 1.800.733.3766 or 1.937.382.1451.



**USERS' MANUAL**  
To request additional free users' manuals, contact Ferno Customer Relations, your Ferno distributor, or visit [www.ferno.com](http://www.ferno.com).

